
EGT1-2000 (ORDER NO. 001732)

Precision single hole fixing limit switch EGT1

- ▶ With snap-action switching element
- ▶ Plunger material stainless steel
- ▶ Any installation orientation



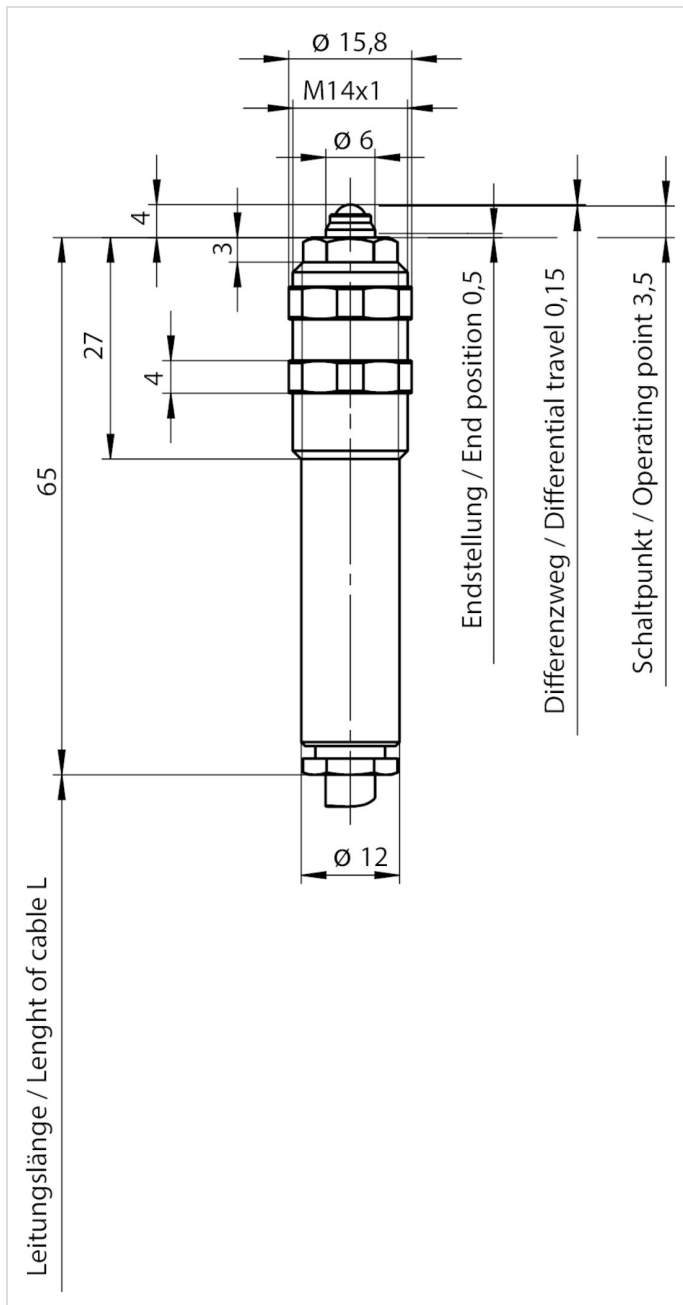
Description

Switching element

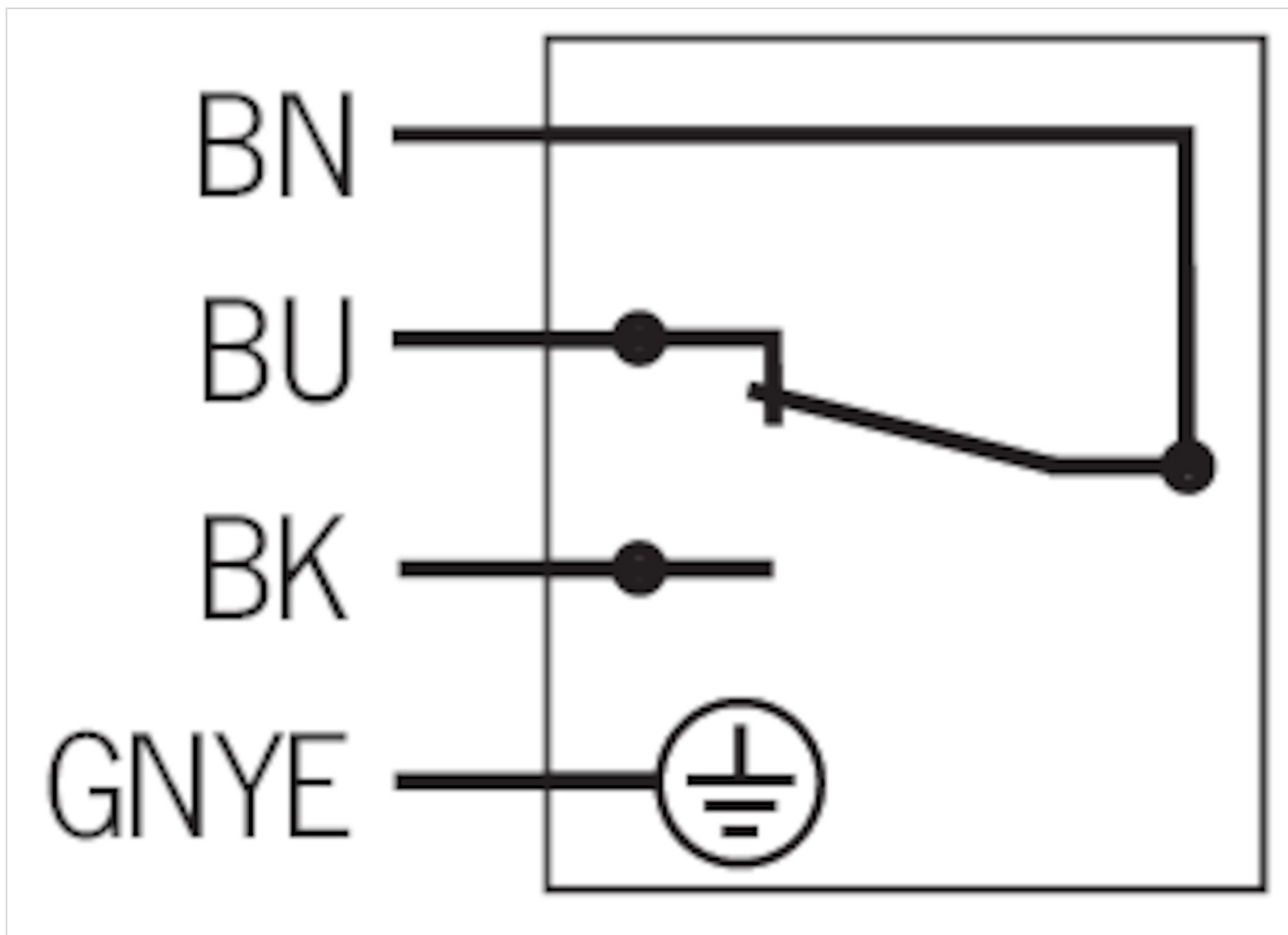
Snap-action switching contact, 1 changeover contact

⚠ Single hole fixing limit switches must not be used as an end stop.

Dimension drawing



Wiring diagram



Technical data

Approvals



Mechanical values and environment

Cable ambient temperature (static)	-25 ... 80 °C
Design	Thread M14 x 1
Housing material	
	Sleeve Brass, nickel-plated
	Threaded section Brass, nickel-plated
Degree of protection	IP67
Mechanical life	1 x 10 ⁶
Contact material	Silver alloy, gold-plated
Switching principle	Snap-action switching contact
Repeat accuracy (absolute)	±0,01 mm (On axial actuation in the retracted state after approx. 2000 operating cycles)
Installation orientation	Any
Number of NC contacts	1 (Changeover contact)
Number of NO contacts	1 (Changeover contact)
Connection	PUR cable (Four-core)
Cable length	2 m
Approach speed	0,01 ... 8 m/min
Actuating element	Ball plunger (Short)
Actuating force	
	Approx. 20 N

Electrical connection ratings

Utilization category acc. to EN 60947-5-1

	AC-15 0.5A 230V
	DC-13 0.6A 24V
Short circuit protection according to IEC 60269-1	2A gG
Rated insulation voltage U _i	250 V
Rated impulse withstand voltage U _{imp}	2,5 kV
Switching voltage	
	min. 12 V
Switching current	
	Min. at 24V 10 mA
Connection cross-section	0,5 mm ²

Contacts

🏠 EUCHNER GmbH + Co. KG
Kohlhammerstraße 16
70771 Leinfelden-Echterdingen

☎ +49 711 7597-0

📠 +49 711 753316

✉ info(at)euchner.de

